

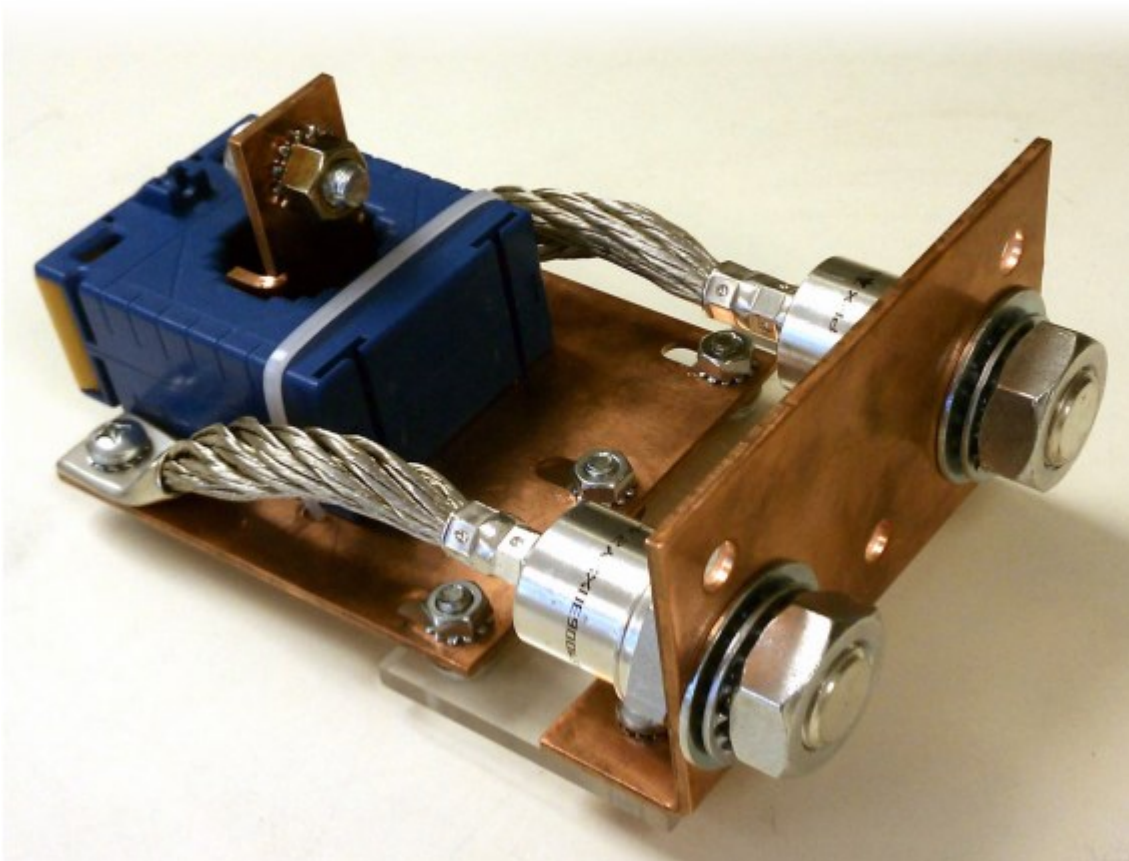


www.intermountainelectronics.com

Phone: (877) 544-2291

1100-6021

**Anti-Parallel Ground Wire Device (GWD) with
100:0.1 Current Transformer**



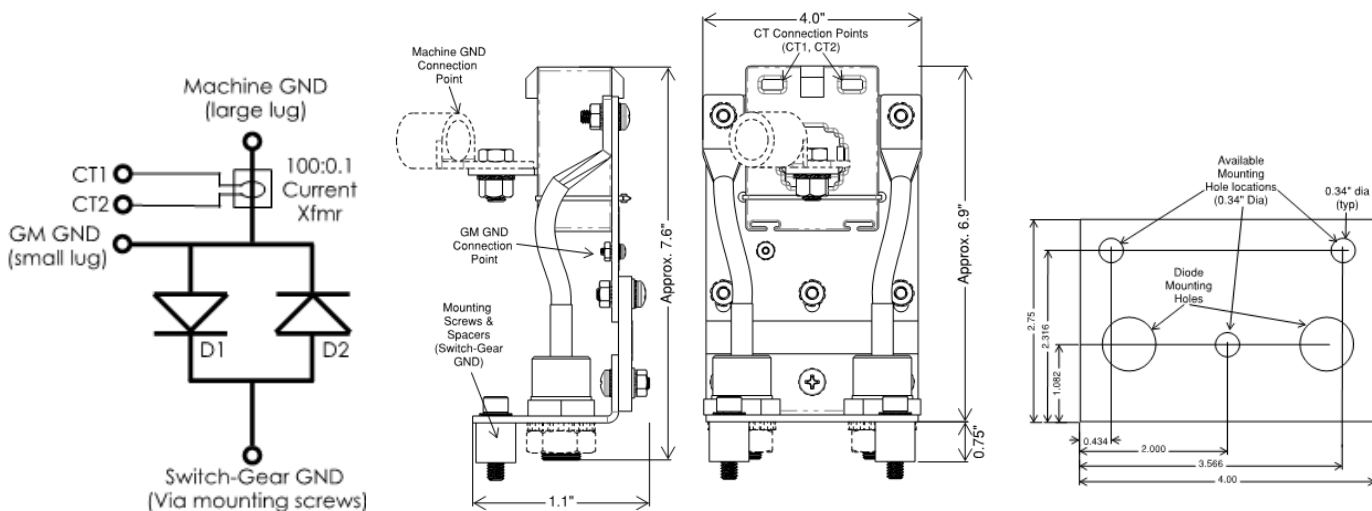
1100-6021 Ground Wire Device (GWD)

The 1100-6021 Ground Wire Device (GWD) is a high-current, anti-parallel diode-type GWD with an integrated 100:0.1 Current Transformer (CT). This GWD is suitable for use with some Intermountain Electronics ground monitors such as the GMS-504DZ (refer to ground monitor specification for proper GWD selection and use).

When installed properly in a power source (power center, switch-gear, etc.), anti-parallel diodes prevent potentially dangerous voltage differences between the metal enclosures of the power source and the equipment being powered.

The diodes in the 1100-6021 are rated for 250A to ensure that they can conduct large fault currents long enough for fault detection circuits to open.

The 100:0.1 CT senses AC current on the ground conductor between the source and load.



Schematic Diagram

Mechanical Characteristics

Mounting

